



JELLEY



**2021
CATALOGUE**



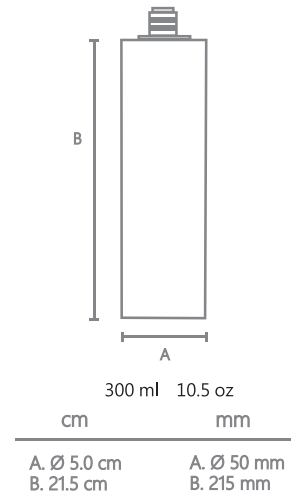
DURABILITY . POWERFUL . EFFICIENCY



JELLEY

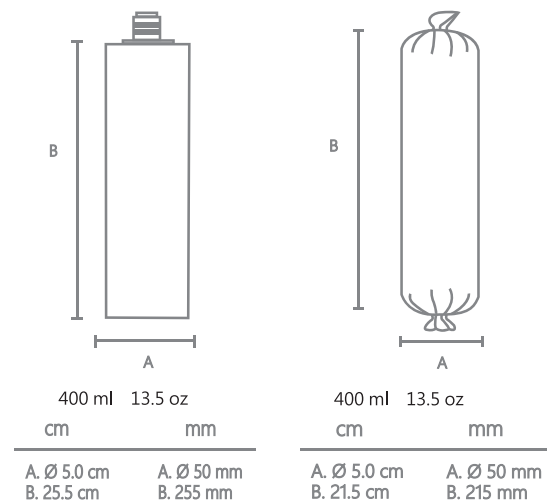
BATTERY CAULKING DISPENSER

BCD10



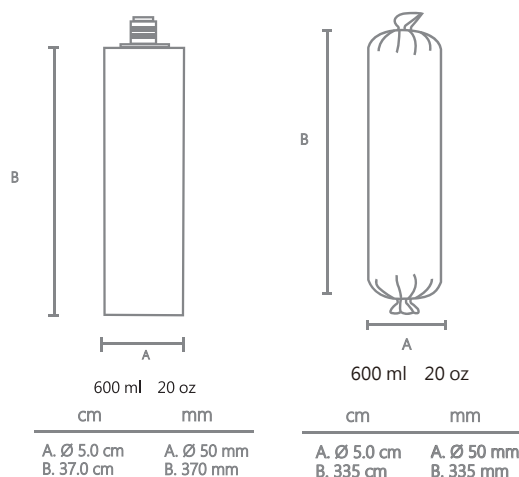
MODEL NO.	BCD10		
CAPACITY	300 ml	10.14 oz	CARTRIDGE
VOLTAGE	7.4 V	2.0Ah	14.8 WH
PERFORMANCE	1.5 A	75 Tubes	REFERENCE
MAX FORCE	500 KGS	1102Lb	4903N
NO LOAD SPEED	8.0 mm/sec	18.9 in/min	

BCD12



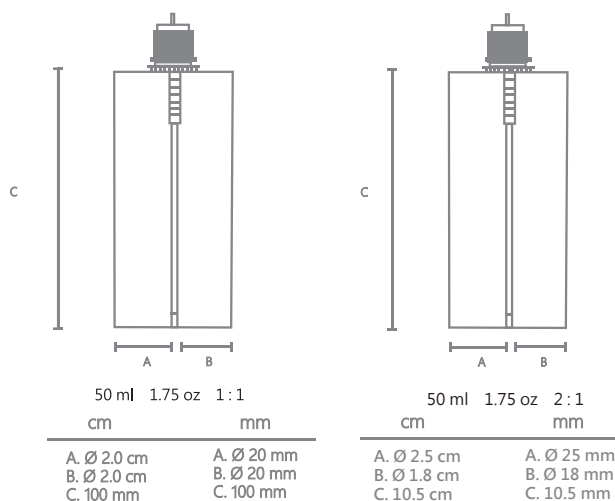
MODEL NO.	BCD12		
CAPACITY	400 ml	13.5 oz	CARTRIDGE/ SAUSAGE
VOLTAGE	7.4 V	2.0Ah	14.8 WH
PERFORMANCE	1.5 A	75 Tubes	REFERENCE
MAX FORCE	500 KGS	1102Lb	4903N
NO LOAD SPEED	8.0 mm/sec	18.9 in/min	

BCD14



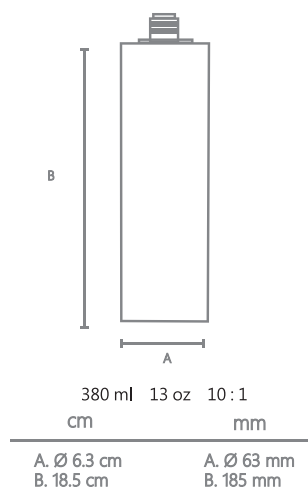
MODEL NO.	BCD14		
CAPACITY	600 ml	20 oz	CARTRIDGE/ SAUSAGE
VOLTAGE	7.4 V	2.0Ah	14.8 WH
PERFORMANCE	1.5 A	50 Tubes	REFERENCE
MAX FORCE	500 KGS	1102Lb	4903N
NO LOAD SPEED	8.0 mm/sec	18.9 in/min	

BCD29



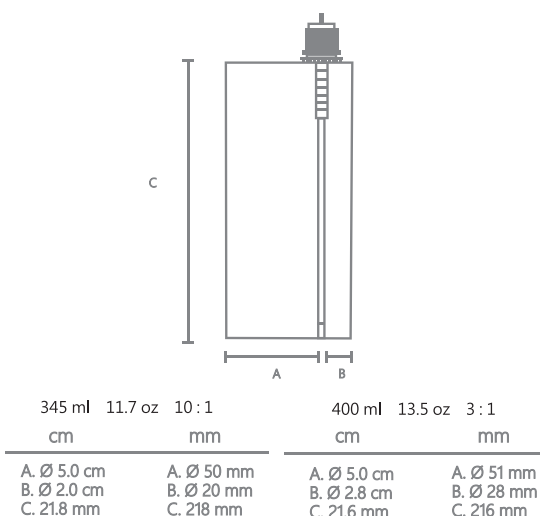
MODEL NO.	BCD29		
CAPACITY	50 ml	1.69 oz	CARTRIDGE
VOLTAGE	7.4 V	2.0Ah	14.8 WH
PERFORMANCE	1.5 A	75 Tubes	REFERENCE
MAX FORCE	150 KGS	330Lb	1470N
NO LOAD SPEED	8.0 mm/sec	18.9 in/min	

BCD30



MODEL NO.	BCD30		
CAPACITY	380 ml	13 oz	CARTRIDGE
VOLTAGE	7.4 V	2.0Ah	14.8 WH
PERFORMANCE	1.5 A	40 Tubes	REFERENCE
MAX FORCE	500 KGS	1102Lb	4903N
NO LOAD SPEED	8.0 mm/sec	18.9 in/min	

BCD31

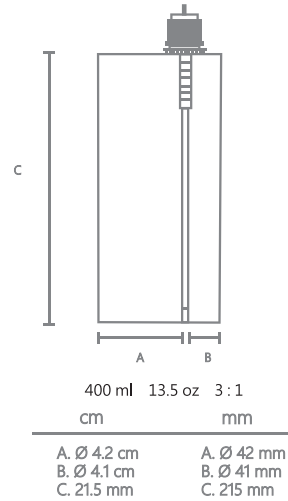


MODEL NO.	BCD31		
CAPACITY	345/ 400 ml	11.5/ 13.5 oz	CARTRIDGE
VOLTAGE	7.4 V	2.0Ah	14.8 WH
PERFORMANCE	1.5 A	40 Tubes	REFERENCE
MAX FORCE	500 KGS	1102Lb	4903N
NO LOAD SPEED	8.0 mm/sec	18.9 in/min	

JELLEY

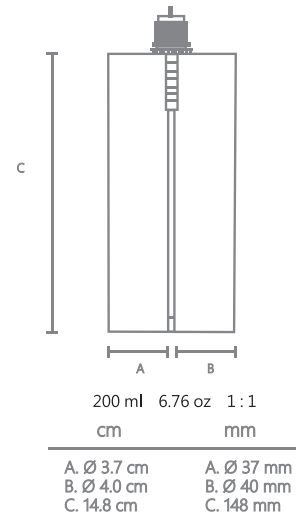
BATTERY CAULKING DISPENSER

BCD32



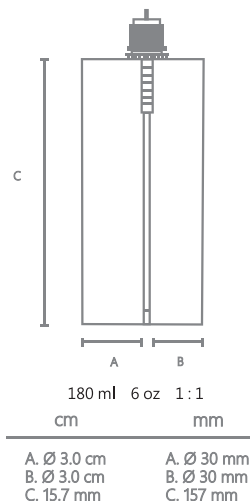
MODEL NO.	BCD32		
CAPACITY	400 ml	13.5 oz	CARTRIDGE
VOLTAGE	7.4 V	2.0Ah	14.8 WH
PERFORMANCE	1.5 A	40 Tubes	REFERENCE
MAX FORCE	500 KGS	1323Lb	5880N
NO LOAD SPEED	8.0mm/sec	18.9 in/min	

BCD36



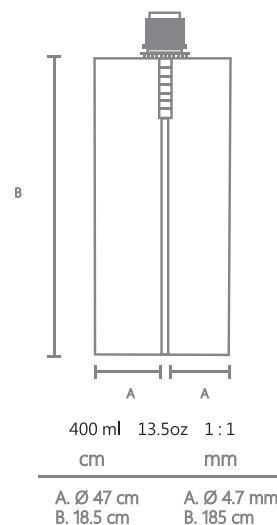
MODEL NO.	BCD36		
CAPACITY	200 ml	10.5 oz	CARTRIDGE
VOLTAGE	7.4 V	2.0Ah	14.8 WH
PERFORMANCE	1.5 A	100 Tubes	REFERENCE
MAX FORCE	500 KGS	1102Lb	4903N
NO LOAD SPEED	8.0 mm/sec	18.9 in/min	

BCD38



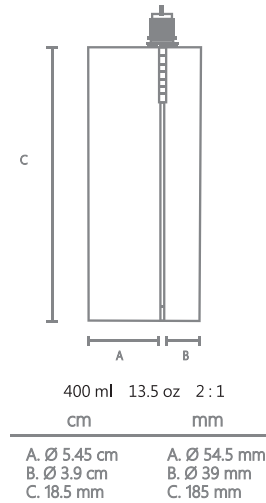
MODEL NO.	BCD38		
CAPACITY	180 ml	6 oz	CARTRIDGE
VOLTAGE	7.4 V	2.0Ah	14.8 WH
PERFORMANCE	1.5 A	50 Tubes	REFERENCE
MAX FORCE	500 KGS	1102Lb	4903N
NO LOAD SPEED	8.0 mm/sec	18.9 in/min	

BCD40



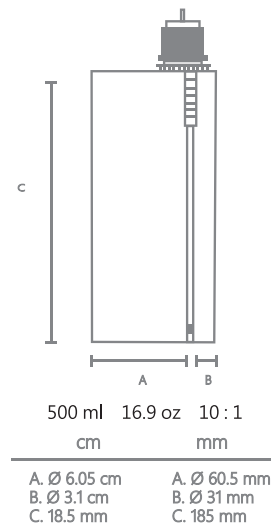
MODEL NO.	BCD40		
CAPACITY	400 ml	13.5 oz	CARTRIDGE
VOLTAGE	7.4 V	2.0Ah	14.8 WH
PERFORMANCE	1.5 A	40 Tubes	REFERENCE
MAX FORCE	500 KGS	1102Lb	4903N
NO LOAD SPEED	8.0 mm/sec	18.9 in/min	

BCD41



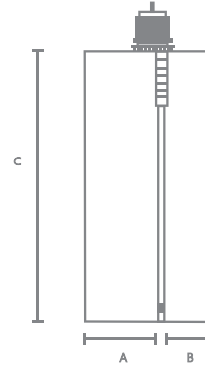
MODEL NO.	BCD41		
CAPACITY	400 ml	13.5 oz	CARTRIDGE
VOLTAGE	7.4 V	2.0Ah	14.8 WH
PERFORMANCE	1.5 A	40 Tubes	REFERENCE
MAX FORCE	500 KGS	1102Lb	4903N
NO LOAD SPEED	8.0 mm/sec	18.9 in/min	

BCD42



MODEL NO.	BCD42		
CAPACITY	500 ml	13.5 oz	CARTRIDGE
VOLTAGE	7.4 V	2.0Ah	14.8 WH
PERFORMANCE	1.5 A	40 Tubes	REFERENCE
MAX FORCE	500 KGS	1102Lb	4903N
NO LOAD SPEED	8.0 mm/sec	18.9 in/min	

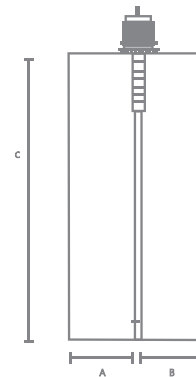
BCD43



500 ml cm	13.5 oz mm	2:1	585 ml cm	19.8 oz mm	3:1
A. Ø 5.45 cm	A. Ø 54.5 mm		A. Ø 5.44 cm	A. Ø 54.4 mm	
B. Ø 3.9 cm	B. Ø 39 mm		B. Ø 3.68 cm	B. Ø 36.8 mm	
C. 18.5 mm	C. 185 mm		C. 2.45 mm	C. 245.5 mm	

MODEL NO.	BCD43		
CAPACITY	385/ 585 ml	13.5/ 20 oz	CARTRIDGE
VOLTAGE	7.4 V	2.0Ah	14.8 WH
PERFORMANCE	1.5 A	40 Tubes	REFERENCE
MAX FORCE	500 KGS	1102Lb	4903N
NO LOAD SPEED	8.0 mm/sec	18.9 in/min	

BCD44



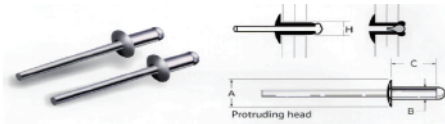
600 ml cm	20 oz mm	1:1
A. Ø 5.1 cm	A. Ø 51 mm	
B. Ø 5.1 cm	B. Ø 51 mm	
C. 2.16 mm	C. 216 mm	

MODEL NO.	BCD44		
CAPACITY	300*2 ml	20 oz	CARTRIDGE
VOLTAGE	7.4 V	2.0Ah	14.8 WH
PERFORMANCE	1.5 A	40 Tubes	REFERENCE
MAX FORCE	500 KGS	1102Lb	4903N
NO LOAD SPEED	8.0 mm/sec	18.9 in/min	

JELLEY

BATTERY BLIND RIVET

BBR10 P1 / 12mm Stroke



MAX. PULLING FORCE 650KGS (STROKE 12MM)

MODEL NO.	BBR10 P1	
VOLTAGE	7.4V	2.0Ah
PERFORMANCE	1.5 A	≈ 400 AS Rivets
MAX FORCE	650 KGS	6374Lb
NO LOAD SPEED	8.0 mm/sec	18.9 in/min

Code	A (HEAD DIA.)		B (BODY DIA.)		C (LENGT)		Al rivet	Steel rivet	Stainless Steel rivet	Stainless Steel rivet
	mm	inch	mm	inch	mm	inch	Steel Shaft	Steel Shaft	Steel Shaft	Stainless Steel Shaft
							AS	SS	SSS	SSSS
3-2	4.5	2.4	3/32	5.8	0.228	7.4	✓	✓	✓	✓
3-3	4.5	2.4	3/32	7.4	0.291	7.4	✓	✓	✓	✓
3-4	4.5	2.4	3/32	8.4	0.331	8.4	✓	✓	✓	✓
4-1	6.4	3.2	1/8	4.8	0.189	4.8	✓	✓	✓	✓
4-2	6.4	3.2	1/8	6.4	0.252	6.4	✓	✓	✓	✓
4-3	6.4	3.2	1/8	8	0.315	8	✓	✓	✓	✓
4-4	6.4	3.2	1/8	9.6	0.378	9.6	✓	✓	✓	✓
4-5	6.4	3.2	1/8	11.5	0.453	11.5	✓	✓	✓	✓
4-6	6.4	3.2	1/8	12.7	0.500	12.7	n/a	n/a	n/a	n/a
4-8	6.4	3.2	1/8	16.1	0.634	16.1	n/a	n/a	n/a	n/a
5-1	8	4	5/32	5.8	0.228	5.8	✓	✓	n/a	n/a
5-2	8	4	5/32	7	0.276	7	✓	✓	n/a	n/a
5-3	8	4	5/32	8.5	0.335	8.5	✓	✓	n/a	n/a
5-4	8	4	5/32	10	0.394	10	✓	✓	n/a	n/a
5-5	8	4	5/32	11.4	0.449	11.4	✓	✓	n/a	n/a
5-6	8	4	5/32	13	0.512	13	n/a	n/a	n/a	n/a
5-8	8	4	5/32	16.5	0.650	16.5	n/a	n/a	n/a	n/a
5-10	8	4	5/32	19.5	0.768	19.5	n/a	n/a	n/a	n/a
6-1	9.5	4.8	3/16	6.4	0.252	6.4	✓	✓	n/a	n/a
6-2	9.5	4.8	3/16	7.4	0.291	7.4	✓	✓	n/a	n/a
6-3	9.5	4.8	3/16	9.6	0.378	9.6	✓	✓	n/a	n/a
6-4	9.5	4.8	3/16	11	0.433	11	✓	✓	n/a	n/a
6-5	9.5	4.8	3/16	12.7	0.500	12.7	n/a	n/a	n/a	n/a
6-6	9.5	4.8	3/16	14.5	0.571	14.5	n/a	n/a	n/a	n/a
6-8	9.5	4.8	3/16	17.5	0.689	17.5	n/a	n/a	n/a	n/a
6-10	9.5	4.8	3/16	20.4	0.803	20.4	n/a	n/a	n/a	n/a
6-12	9.5	4.8	3/16	24	0.945	24	n/a	n/a	n/a	n/a

BBR10 P2 / 24mm Stroke



MAX. PULLING FORCE 900KGS (STROKE 20mm)

MODEL NO.	BBR10 P2	
VOLTAGE	7.4 V	2.0Ah
PERFORMANCE	1.5 A	≈ 400 AS Rivets
MAX FORCE	900 KGS	8826Lb
NO LOAD SPEED	8.0 mm/sec	18.9 in/min

Code	A (HEAD DIA.)		B (BODY DIA.)		C (LENGT)		Al rivet	Steel rivet	Stainless Steel rivet	Stainless Steel rivet
	mm	inch	mm	inch	mm	inch	Steel Shaft	Steel Shaft	Steel Shaft	Stainless Steel Shaft
							AS	SS	SSS	SSSS
3-2	4.5	2.4	3/32	5.8	0.228	7.4	✓	✓	✓	✓
3-3	4.5	2.4	3/32	7.4	0.291	7.4	✓	✓	✓	✓
3-4	4.5	2.4	3/32	8.4	0.331	8.4	✓	✓	✓	✓
4-1	6.4	3.2	1/8	4.8	0.189	4.8	✓	✓	✓	✓
4-2	6.4	3.2	1/8	6.4	0.252	6.4	✓	✓	✓	✓
4-3	6.4	3.2	1/8	8	0.315	8	✓	✓	✓	✓
4-4	6.4	3.2	1/8	9.6	0.378	9.6	✓	✓	✓	✓
4-5	6.4	3.2	1/8	11.5	0.453	11.5	✓	✓	✓	✓
4-6	6.4	3.2	1/8	12.7	0.500	12.7	✓	✓	✓	✓
4-8	6.4	3.2	1/8	16.1	0.634	16.1	✓	✓	✓	✓
5-1	8	4	5/32	5.8	0.228	5.8	✓	✓	n/a	n/a
5-2	8	4	5/32	7	0.276	7	✓	✓	n/a	n/a
5-3	8	4	5/32	8.5	0.335	8.5	✓	✓	n/a	n/a
5-4	8	4	5/32	10	0.394	10	✓	✓	n/a	n/a
5-5	8	4	5/32	11.4	0.449	11.4	✓	✓	n/a	n/a
5-6	8	4	5/32	13	0.512	13	✓	✓	n/a	n/a
5-8	8	4	5/32	16.5	0.650	16.5	✓	✓	n/a	n/a
5-10	8	4	5/32	19.5	0.768	19.5	✓	✓	n/a	n/a
6-1	9.5	4.8	3/16	6.4	0.252	6.4	✓	✓	n/a	n/a
6-2	9.5	4.8	3/16	7.4	0.291	7.4	✓	✓	n/a	n/a
6-3	9.5	4.8	3/16	9.6	0.378	9.6	✓	✓	n/a	n/a
6-4	9.5	4.8	3/16	11	0.433	11	✓	✓	n/a	n/a
6-5	9.5	4.8	3/16	12.7	0.500	12.7	✓	✓	n/a	n/a
6-6	9.5	4.8	3/16	14.5	0.571	14.5	✓	✓	n/a	n/a
6-8	9.5	4.8	3/16	17.5	0.689	17.5	✓	✓	n/a	n/a
6-10	9.5	4.8	3/16	20.4	0.803	20.4	✓	✓	n/a	n/a
6-12	9.5	4.8	3/16	24	0.945	24	n/a	n/a	n/a	n/a



捷利科技股份有限公司
JELLEY TECHNOLOGY CO., LTD.

台中市大雅區中山八路122號2樓
2F, NO.122, ZHONGSHAN 8TH RD., DAYA DIST.,
TAICHUNG CITY, TAIWAN 42841

TEL: 886-4-25603253 FAX: 886-4-25678441
WEBSITE: www.jelley.com.tw EMAIL: service@jelley.com.tw